

Yale®

Section

1

MULTIPOINT LOCKS



Yale® 1 MULTIPOINT LOCKS / G2000

Multipoint Index

- **Introduction**

- **Multipoint Locks**

- **Features & Functions**
- **Photo Gallery**
- **Range Table**
- **High Security**
- **Security**
- **Standard Security**
- **Low Door**
- **Slave French Door Lock**

- **Furniture & Accessories**

- **Photo Gallery**
- **Lever/Lever Handles**
- **Lever/Pad Handles**
- **Shootbolt Kit**
- **Cylinders**

Introduction

The new high security central hook G2000 range of locks is the latest addition to Yale's comprehensive Multipoint locking products. It has been designed for both residential and commercial doors and is suitable for PVCu, timber, composite and aluminium doors. The G2000 range covers up to 14 point locking. All systems are operated by handle and key.

How to Specify

Yale have developed a series of icons (see Security Features) to enable the process of product specification to be simplified.

From today you can specifically detail your requirements for a product, therefore ensuring that it includes particular security features.

These will give confidence when specifying and ensure the right products are used on the right application.


Example: If you require a lock that is force resistant look for that icon in the range table


Yale, Simplifying the Specification Process.

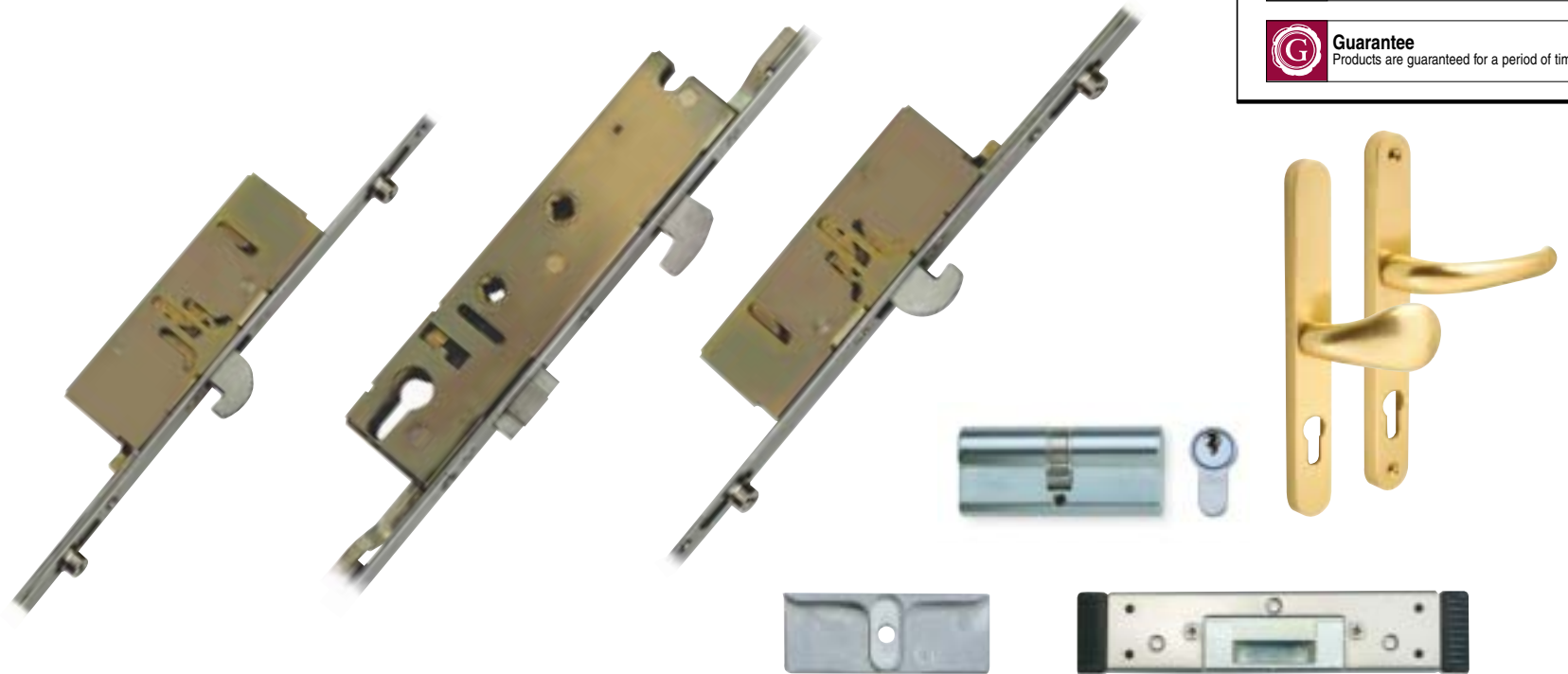
Security Features

 **Force Resistant**
Built in strength against force attack.

 **Corrosion Resistant**
Products conform to appropriate anti-corrosion requirements.

 **Key Control**
The products can be included in a key control system.

 **Guarantee**
Products are guaranteed for a period of time.

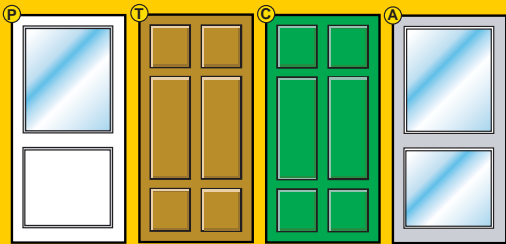


Strikes & Keeps - A comprehensive range of profile related strikes & keeps are available for PVCu, aluminum, timber & composite doors. Contact customer service for help and guidance. Telephone 01207 581485.

Yale® 1 MULTIPOINT LOCKS / G2000

What Type of Door

- A comprehensive range of locks to suit PVCu, composite, timber and aluminium doors (providing the aluminium has been designed with euro profile groove detail)



- Door thicknesses 30-47mm.
- Fits a wide range of profiles.

Door Types

- (A) Aluminium
- (P) PVCu
- (T) Timber
- (C) Composite

What Type of Cylinder

Yale offer advanced key systems to suit a wide range of applications from the high security patented PRO-KEY to standard security 5&6 pin systems.



5&6 Pin

A convenient system suitable for both commercial and residential applications.

Pro Key

Operates on 7 pins in the cylinder, one of which interacts with a pin, built-in to the key. These cylinders are patented, ABI registered and exceeds CEN 5 standard - the highest security rating.

Features and Functions



Locking Mechanism

The means by which the door is held closed.

Adjustable Roller

To assist door compression and smooth locking action.



Shootbolt

Further security for securing door into head and sill of frame.



Centre Hookbolt

Designed to assist door compression and a high level of security against a force attack.



Top & Bottom Hookbolt

Easily reversible bolt for securing the door. Double throw latchbolt for improved security.



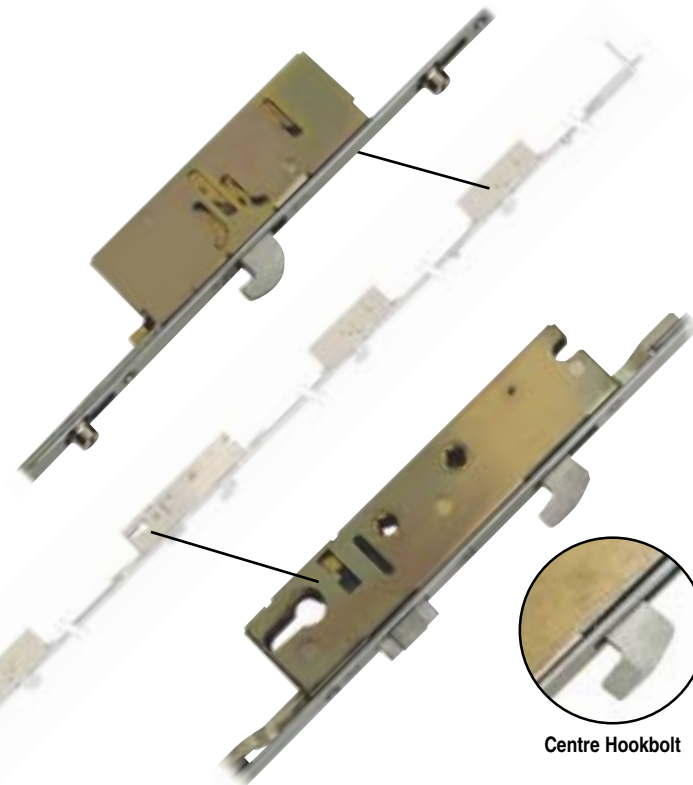
Top & Bottom Hookbolt

Easily reversible bolt for securing the door. Double throw latchbolt for improved security.



Secure Locking

The system cannot be locked until all of the bolts are fully thrown.



Centre Hookbolt

Finish: Stainless Steel Faceplate

Ideal for Use with: Cylinders and Furniture.

Customisation

Strikes and keeps may be customised to suit individual profiles upon request.

Slam Shut Function

This option can be achieved by using the bottom follower enabling only key operation from the outside of the door to withdraw the latch bolt.

Handing

Non handed system to reduce stocking.

Locking Method

Handle

The locking points are engaged in their keeps by an upwards movement of the handle.

Key

Turning the key after all bolts have been fully thrown will dead lock latch bolt and all locking points.

Yale® 1 **MULTIPOINT LOCKS** / G2000

High Security 5 Hook



G2747



G2741

High Security 3 Hook



G2727



G2721

Standard Security



G2703



G2701

Security for Low Doors



G2779

Slave French Door Lock



G2799

Yale® 1 MULTIPOINT LOCKS / G2000

	Security Features				Features / Functions								Door Specification		Faceplate Finish	
	Force Resistant	Corrosion Resistant	Key Control	Guarantee	Locking Mechanism	Hook	Adjustable Inboard	Roller Outboard	Top/Bottom Shootbolt Kit	Max Door Height (including Shootbolt Kit)	Min Door Height (including Shootbolt Kit)	Deadlocking Internal	Deadlocking External	Backset	Type of Door	Stainless Steel
High Security 5 Hook																
<i>G2747 5 Hook Two Inboard Two Outboard Rollers</i>	●	●	●	10	HBC, L	5	2	2	Opt	2211	2003	Handle/Key	Handle/Key	34mm	PVC, AL	●
<i>G2745 5 Hook Two Inboard Rollers</i>	●	●	●	10	HBC, L	5	2		Opt	2211	2003	Handle/Key	Handle/Key	34mm	PVC, AL	●
<i>G2743 5 Hook Two Outboard Rollers</i>	●	●	●	10	HBC, L	5		2	Opt	2211	2003	Handle/Key	Handle/Key	34mm	PVC, AL	●
<i>G2741 5 Hook</i>	●	●	●	10	HBC, L	5			Opt	2211	2003	Handle/Key	Handle/Key	34mm	PVC, AL	●
High Security 3 Hook																
<i>G2727 3 Hook Two Inboard Two Outboard Rollers</i>	●	●	●	10	HBC, L	3	2	2	Opt	2211	2003	Handle/Key	Handle/Key	34mm	PVC, AL	●
<i>G2725 3 Hook Two Inboard Rollers</i>	●	●	●	10	HBC, L	3	2		Opt	2211	2003	Handle/Key	Handle/Key	34mm	PVC, AL	●
<i>G2723 3 Hook Two Outboard Rollers</i>	●	●	●	10	HBC, L	3		2	Opt	2211	2003	Handle/Key	Handle/Key	34mm	PVC, AL	●
<i>G2721 3 Hook</i>	●	●	●	10	HBC, L	3			Opt	2211	2003	Handle/Key	Handle/Key	34mm	PVC, AL	●
Standard Security																
<i>G2701 Centre Hook Four Rollers</i>	●	●	●	10	HBC, L	1	2	2	None	2200	2003	Handle/Key	Handle/Key	34mm	PVC, AL	●
<i>G2705 Centre Hook Two Rollers</i>	●	●	●	10	HBC, L	1	2		Standard	2200	2003	Handle/Key	Handle/Key	34mm	PVC, AL	●
<i>G2771 Centre Hook Low Four Rollers</i>	●	●	●	10	HBC, L	1	2	2	None	1930	1476	Handle/Key	Handle/Key	34mm	PVC, AL	●
<i>G2703 Centre Hook Low Four Rollers</i>	●	●	●	10	HBC, L	1	2	2	Opt	2257	1476	Handle/Key	Handle/Key	34mm	PVC, AL	●
Security for Low Doors																
<i>G2783 3 Hook Low Two Inboard One Outboard Rollers</i>	●	●	●	10	HBC, L	3	2	1	Opt	1961	1754	Handle/Key	Handle/Key	34mm	PVC, AL	●
<i>G2779 3 Hook Low Two Inboard Rollers</i>	●	●	●	10	HBC, L	3	2		Opt	1961	1754	Handle/Key	Handle/Key	34mm	PVC, AL	●
<i>G2777 3 Hook Low Door</i>	●	●	●	10	HBC, L	3			Opt	1961	1754	Handle/Key	Handle/Key	34mm	PVC, AL	●
Slave French Door Lock																
<i>G2799 Centre Lock Top/Bottom Shoot Bolts</i>	●	●	●	10					Standard	2257	1476	Handle/Key	Handle/Key	34mm	PVC, AL	●

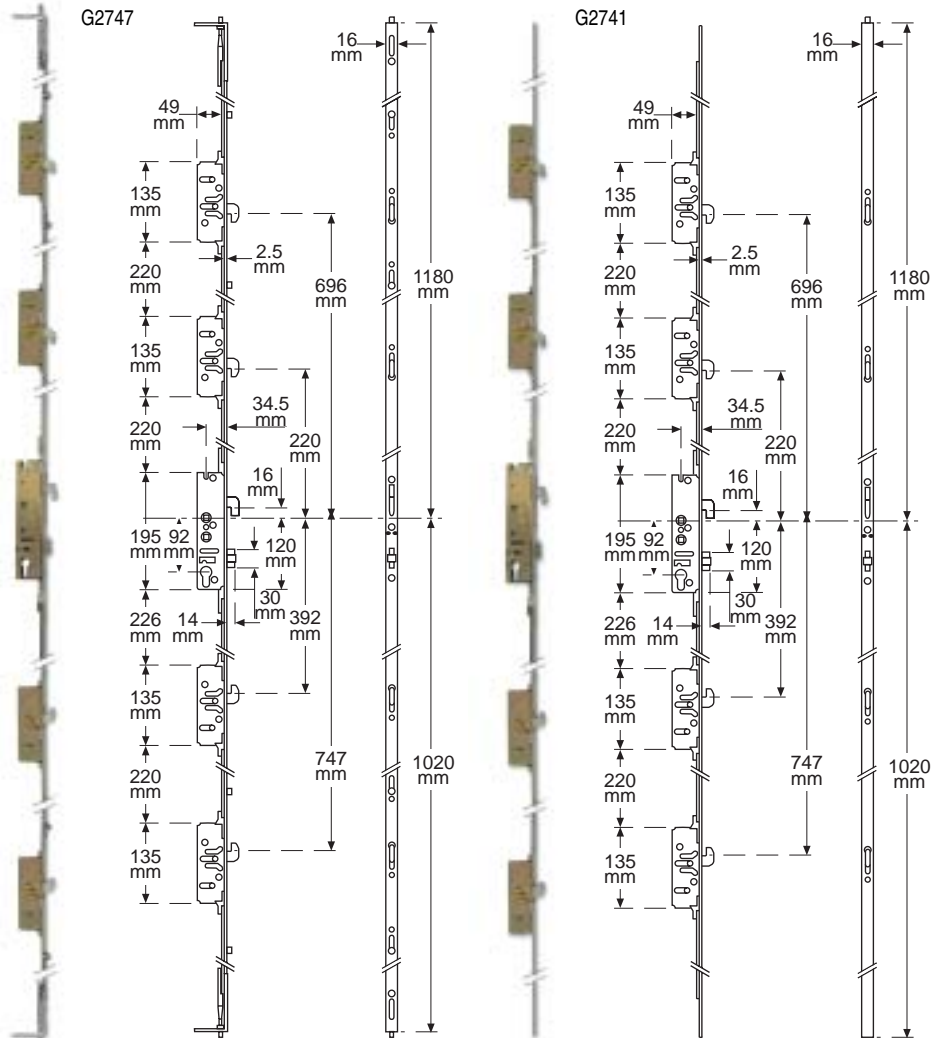
Key: HBC - Hookbolt Centre, L = Latch Opt = Optional Type of Door - T = Timber, PVC = Plastic, C = Composite, AL = Aluminium.

NOTE: Min Door Height can be reduced by excluding top and bottom shoot bolt kit and outboard roller.

Yale® 1 MULTIPOINT LOCKS / G2000

High Security 5 Hook

G2747 5 Hook Two Inboard Two Outboard Rollers / G2741 5 Hook



- Lockbody made of heavy duty 2mm thick zinc and yellow passivated steel plate, with lubricated internal component parts making for a very smooth lock action.
- Easily reversible latchbolt which can be altered with the door in situ.
- Standard 8mm square spindle.
- Non-handed design thus reducing holding of stock.
- The five hook high security evenly spaced bolts and rollers give even compression throughout door length.
- When the top and bottom hook bolts are thrown they independently deadlock together with the latchbolt, giving added security.
- The locking points are engaged in their keeps by an upwards movement of the sprung handle. Turn the key to lock all locking points.
- After unlocking the hookbolts by the key, normal operation of the handle will retract the top and bottom hooks, withdraw the latchbolt and release the door.
- The nightlatch application operates as per the standard lock except that from the outside the central latch can only be disengaged by use of a key.

Note:

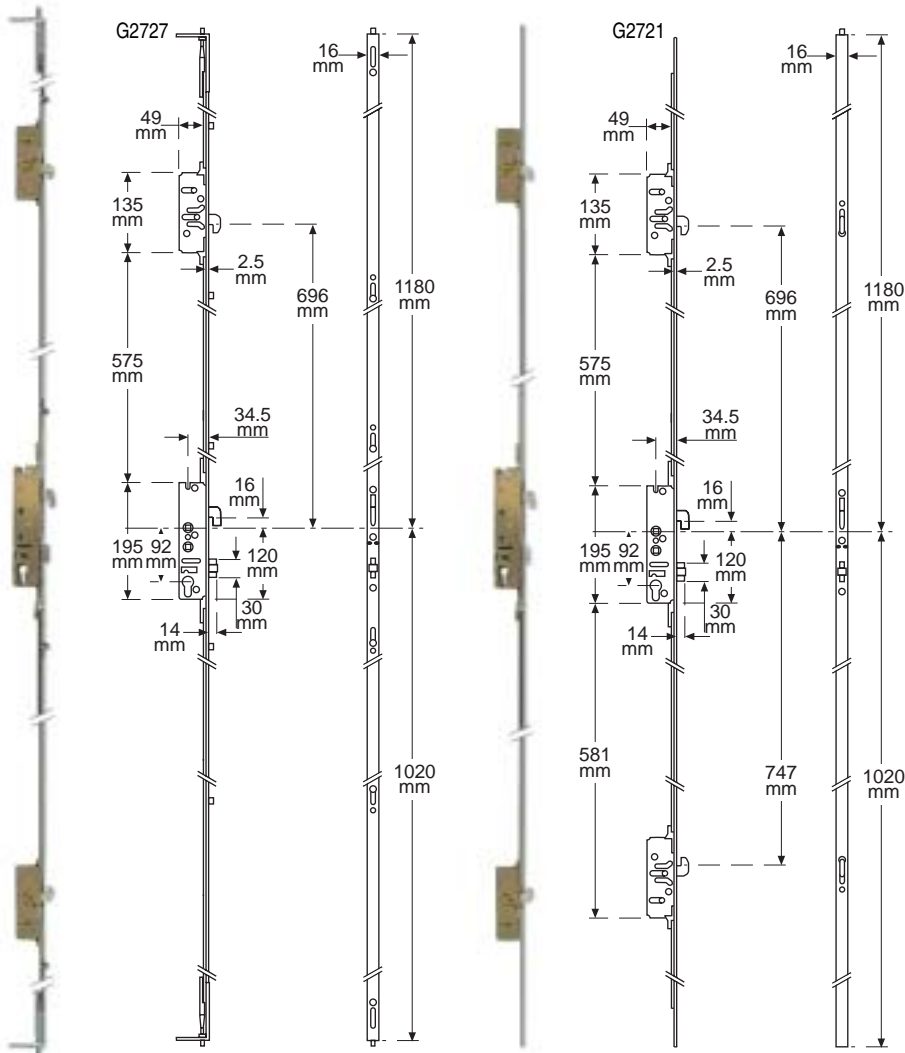
- G2747 min door height can be reduced by excluding top and bottom shoot bolt kit and outboard roller.

Security Features		G2747	G2741
	Force Resistant	•	•
	Corrosion	•	•
	Key Control	•	•
	Guarantee	10	10
Features / Functions			
Locking Mechanism		HBC, L	HBC, L
Hook		5	5
Adjustable Roller	Inboard	2	
	Outboard	2	
Top/Bottom Shoot Bolt Kit		Opt	Opt
Max Door Height (mm) (including Shootbolt Kit)		2211	2211
Min Door Height (mm) (including Shootbolt Kit)		2003	2003
Deadlocking Internal		Handle/Key	Handle/Key
Deadlocking External		Handle/Key	Handle/Key
Door Specification			
Backset		34mm	34mm
Type of Door		PVC, AL	PVC, AL
Faceplate Finish			
Stainless Steel		•	•

Yale® 1 MULTIPOINT LOCKS / G2000

High Security 3 Hook

G2727 2 Hook Two Inboard Two Outboard Rollers / G2721 3 Hook



- Lockbody made of heavy duty 2mm thick zinc and yellow passivated steel plate, with lubricated internal component parts making for a very smooth lock action.
- Easily reversible latchbolt which can be altered with the door in situ.
- Standard 8mm square spindle.
- Non-handed design thus reducing holding of stock.
- The three hook high security evenly spaced bolts and rollers give even compression throughout door length.
- When the top and bottom hook bolts are thrown they independently deadlock together with the latchbolt, giving added security.
- The locking points are engaged in their keeps by an upwards movement of the sprung handle. Turn the key to lock all locking points.
- After unlocking the hookbolts by the key, normal operation of the handle will retract the top and bottom hooks, withdraw the latchbolt and release the door.
- The nightlatch application operates as per the standard lock except that from the outside the central latch can only be disengaged by use of a key.

Note:

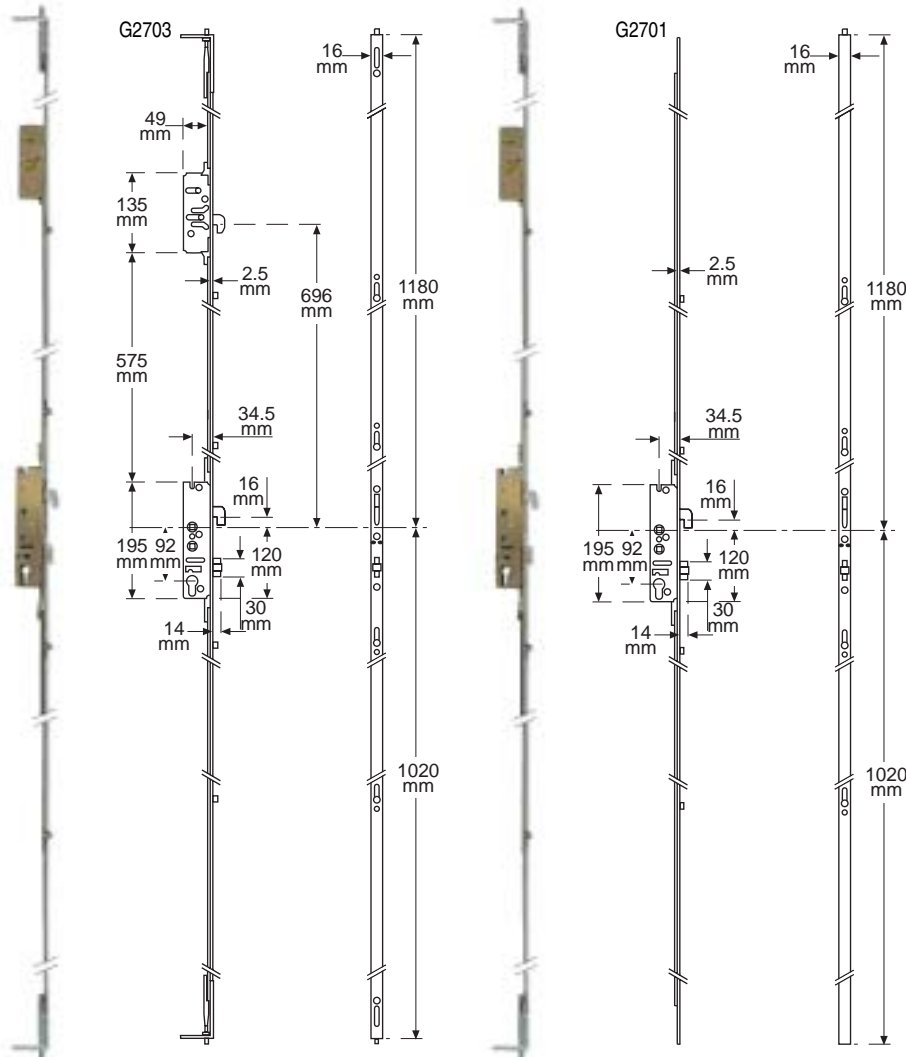
- G2727 min door height can be reduced by excluding top and bottom shoot bolt kit and outboard roller.

Security Features	G2727	G2721
Force Resistant	•	•
Corrosion	•	•
Key Control	•	•
Guarantee	10	10
Features / Functions		
Locking Mechanism	HBC, L	HBC, L
Hook	3	3
Adjustable Roller	Inboard	2
	Outboard	2
Top/Bottom Shoot Bolt Kit	Opt	Opt
Max Door Height (mm) (including Shootbolt Kit)	2211	2211
Min Door Height (mm) (including Shootbolt Kit)	2003	2003
Deadlocking Internal	Handle/Key	Handle/Key
Deadlocking External	Handle/Key	Handle/Key
Door Specification		
Backset	34mm	34mm
Type of Door	PVC, AL	PVC, AL
Faceplate Finish		
Stainless Steel	•	•

Yale® 1 MULTIPOINT LOCKS / G2000

Standard Security

G2703 Centre Hook Low Four Rollers / G2701 Centre Hook Four Rollers



- Lockbody made of heavy duty 2mm thick zinc and yellow passivated steel plate, with lubricated internal component parts making for a very smooth lock action.
 - Easily reversible latchbolt which can be altered with the door in situ.
 - Standard 8mm square spindle.
 - Non-handed design thus reducing holding of stock.
 - The centre hook and evenly spaced roller give even compression throughout door length.
 - The locking points are engaged in their keeps by an upwards movement of the sprung handle. Turn the key to lock all locking points.
 - After unlocking the hookbolts and rollers by the key, normal operation of the handle will retract the top and bottom hooks, withdraw the latchbolt and release the door.
 - The nightlatch application operates as per the standard lock except that from the outside the central latch can only be disengaged by use of a key.
- Note:**
- G2703 min door height can be reduced by excluding top and bottom shoot bolt kit and outboard roller.

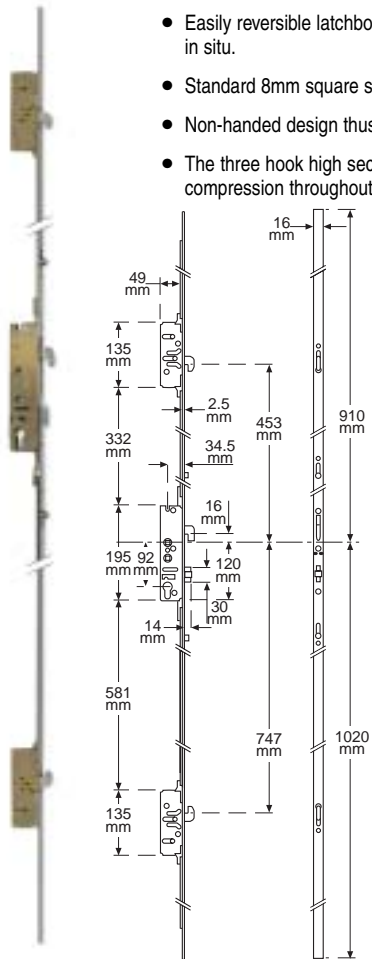
Security Features	G2703	G2701
Force Resistant	•	•
Corrosion	•	•
Key Control	•	•
Guarantee	10	10
Features / Functions		
Locking Mechanism	HBC, L	HBC, L
Hook	1	1
Adjustable Roller	Inboard	2
	Outboard	2
Top/Bottom Shoot Bolt Kit	Opt	None
Max Door Height (mm)	2257	2200
Min Door Height (mm)	1476	2003
Deadlocking Internal	Handle/Key	Handle/Key
Deadlocking External	Handle/Key	Handle/Key
Door Specification		
Backset	34mm	34mm
Type of Door	PVC, AL	PVC, AL
Faceplate Finish		
Stainless Steel	•	•

Yale® 1 MULTIPOINT LOCKS / G2000

Security for Low Doors

G2779 3 Hook Low Two Inboard Rollers

- Lockbody made of heavy duty 2mm thick zinc and yellow passivated steel plate, with lubricated internal component parts making for a very smooth lock action.
- Easily reversible latchbolt which can be altered with the door in situ.
- Standard 8mm square spindle.
- Non-handed design thus reducing holding of stock.
- The three hook high security evenly spaced bolts give even compression throughout door length.

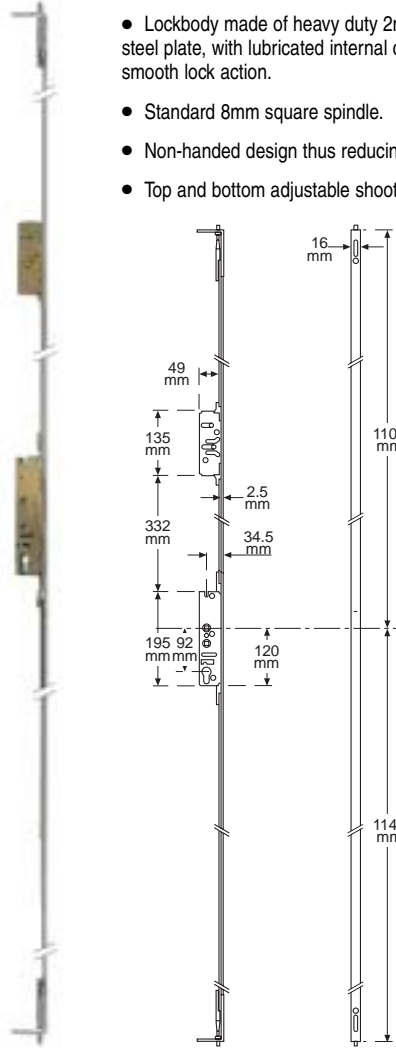


- When the top and bottom hook bolts are thrown they independently deadlock together with the latchbolt, giving added security.
- The locking points are engaged in their keeps by an upwards movement of the sprung handle. Turn the key to lock all locking points.
- After unlocking the hookbolts by the key, normal operation of the handle will retract the top and bottom hooks, withdraw the latchbolt and release the door.
- The nightlatch application operates as per the standard lock except that from the outside the central latch can only be disengaged by use of a key.





Slave French Door Lock

G2799 Centre Lock Top/Bottom Shoot Bolts

- Lockbody made of heavy duty 2mm thick zinc and yellow passivated steel plate, with lubricated internal component parts making for a very smooth lock action.
- Standard 8mm square spindle.
- Non-handed design thus reducing holding of stock.
- Top and bottom adjustable shoot bolts.



- The top and bottom shoot bolts secure the door into the sill and frame by an upwards movement of the sprung handle. Turn the key to deadlock shootbolts.

Security Features	G2779	G2799
 Force Resistant	•	•
 Corrosion	•	•
 Key Control	•	•
 Guarantee	10	10
Features / Functions		
Locking Mechanism	HBC, L	
Hook	3	
Adjustable Roller	Inboard	2
	Outboard	
Top/Bottom Shoot Bolt Kit	Opt	Standard
Max Door Height (mm) (including Shootbolt kit)	1961	2257
Min Door Height (mm) (including Shootbolt kit)	1754	1476
Deadlocking Internal	Handle/Key	Handle/Key
Deadlocking External	Handle/Key	Handle/Key
Door Specification		
Backset	34mm	34mm
Type of Door	PVC, AL	PVC, AL
Faceplate Finish		
Stainless Steel	•	•

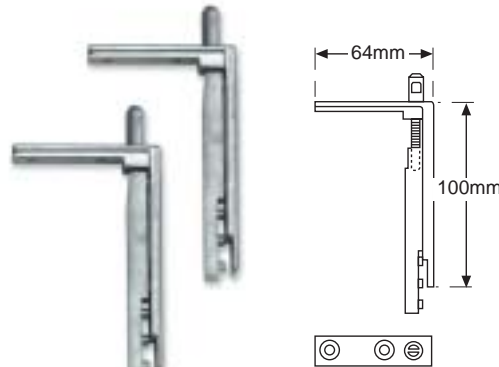
Yale® 1 MULTIPoint LOCKS / G2000

Lever/Lever Handles



Scrolled Lever also available

Door Shootbolts



Door Shootbolt Kit

Strikes



An extensive range of profile related adjustable strikers is available

Lever/Pad Handles



Scrolled Inner Lever also available

Cylinders



See Cylinder section for range

Keeps



An extensive range of adjustable profile related bolt and roller keeps is available